

Installation Instructions

INSTRUCTIONS PERTAINING TO A RISK OF FIRE, OR INJURY TO PERSONS.

IMPORTANT SAFETY INSTRUCTIONS. SAVE THESE INSTRUCTIONS.

(Failure to follow the warnings and instructions on this sheet could result in fire, injury, failure of product, and/or voiding of warranty.)

1. Do not touch luminaire while lamp is on. Turn off/unplug and allow to cool before replacing lamp.
2. Lamp gets HOT quickly! Contact only switch/plug when turning on.
3. Do not touch hot lens, body, cap or knuckle.
4. Keep lamp away from materials that may burn.
5. Do not touch lamp at any time. Use a soft cloth. Oil from your skin may damage lamp.
6. Do not operate with damaged or missing parts.
7. Do not disassemble beyond cap removal to facilitate lamp and/or accessory installation or replacement.
8. Remove any debris accumulated in the cap periodically.
9. Do not install within 10 feet of a pool, spa, or fountain.
10. This is a line voltage fixture, use properly rated cable.
11. Have installed in accordance with all applicable installation codes and standards by a person familiar with the construction, operation, and hazards involved.

Installation:

Notes:

- This fixture should not be mounted in such a way that it is buried or in direct contact with the ground or soil.
- LED models come with push button manual selection of 4 different outputs. See 'Changing LED Output Level' instructions on next page. Output will be set at factory to highest setting, unless otherwise specified when ordered.
- LED models also allow for 100-277V 0-10V dimming (at three highest push button light level settings only) and 120V phase dimming (at highest push button light level setting only). LED models should only be used with compatible dimming systems. Contact Vision3 Lighting for further information.
- All ratings subject to change without notice. See website or contact V3 for most current info.

Caution! Fixture will be hot if lamp is on. Remove power and allow fixture to cool before performing any adjustments or maintenance.

1. Install fixture by threading the knuckle into the mount hole of an appropriate mounting option. Use supplied O-ring (when used with appropriate mount) to create a water tight seal. Use supplied Lock Nut to secure fixture to mount option. See mount option installation instructions for further installation procedures.
2. Connect the fixtures power leads to the power supply wires (black, white, green to hot, neutral, ground, respectively) using appropriate connectors (not supplied) per applicable codes. Note: Be sure power being supplied matches requirements on Label.
3. For LED models: Connect the fixtures dimming leads to the dimming control wires using appropriate connectors (not supplied) per applicable codes. The 0-10V(-) control wire (typically gray) should attach to the gray fixture lead, and the 0-10V(+) control wire (typically purple) should attach to the fixtures purple lead. If 0-10V dimming is not being used, each of the fixtures dimming leads should be cut and capped separately (connectors not supplied). Note: capping the dimming leads together or allowing them to touch ground may prevent the LED from operating normally. Make sure they are capped separately if not being used.

Fixture Aiming:

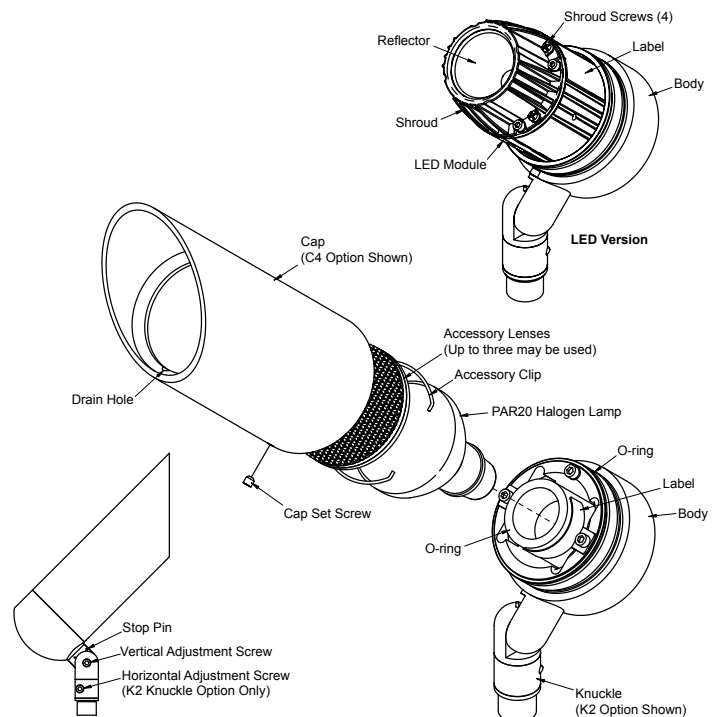
1. Loosen the Vertical Adjustment Screw using a 5/32" hex tool – do not remove screw!
2. Grab fixture Body and push/pull to break grip of tapered knuckle lock.
3. Slightly tighten Vertical Adjustment Screw, using the 5/32" hex tool, so that fixture holds position when released, but still moves when adjusted.
4. Slightly loosen the Horizontal Adjustment Screw (Available on K2 knuckle option only), using the 5/32" hex tool - do not remove screw!
5. Slightly tighten the Horizontal Adjustment Screw (Available on K2 knuckle option only) so that the fixture can be rotated, but still holds position.
6. Adjust fixture to the desired angle. Do not force the fixture past the natural stops built in to the knuckle. Note: Rotate fixture fully in opposite direction if a stop is hit before reaching the desired position.
7. Tighten the adjustment screws using the 5/32" hex tool. Do not over tighten! Tapered knuckle lock requires very little tightening to ensure

fixture is locked in position.

8. Adjust cap so that Drain Hole, if any, is oriented at the lowest point allowable.

PAR20 Halogen Lamp Maintenance (for certain models):

1. Remove power from fixture and let cool before touching. **Caution! Luminaire may still be hot!**
2. Loosen the Cap Set Screw using a 3/32" hex tool – **do not remove screw!**
3. Remove the Cap. Holding the Body and twisting the Cap while removing reduces the risk of damaging the O-Ring.
4. Inspect O-Ring for damage. Replace if necessary.
5. Unthread lamp from socket and remove. **Caution! Lamp may still be hot! Be sure lamp has cooled before touching.**
6. Inspect socket for any damage.
7. Clean inside of fixture and Cap with a clean dry cloth.
8. Thread new lamp in to socket. Note: Replacement lamp must not exceed ratings of the luminaire. Read the label inside of the luminaire body for appropriate lamp type and ratings.
9. Install Cap on fixture by pushing and twisting slowly. If O-Ring is excessively dry, use a small amount of Krytox lubricant.
10. Tighten Cap Set Screw with the 3/32" hex tool so that is just bottoms out. **Do not over tighten the Cap Set Screw!** This may cause the fixture to not seal properly.



Installation Instructions

INSTRUCTIONS PERTAINING TO A RISK OF FIRE, OR INJURY TO PERSONS.

IMPORTANT SAFETY INSTRUCTIONS. SAVE THESE INSTRUCTIONS.

(Failure to follow the warnings and instructions on this sheet could result in fire, injury, failure of product, and/or voiding of warranty.)

LED Module Maintenance (for certain models):

LED Module Replacement:

While the LED module can be field replaced, it requires complete dis-assembly of the fixture and should only be done for end of life replacement (for changing beam pattern, see 'Changing LED Optics' heading below). Vision3 recommends returning the fixture to the factory for LED module replacement. Contact Vision3 Lighting for instructions on LED module replacement, or to arrange for it to be done at the factory if you are not comfortable doing it.

Changing LED Optics:

To change the beam pattern to something other than what the fixture was specified with, the reflector can be swapped out to a different pattern. These reflectors can be purchased from Vision3 Lighting. To change the reflector:

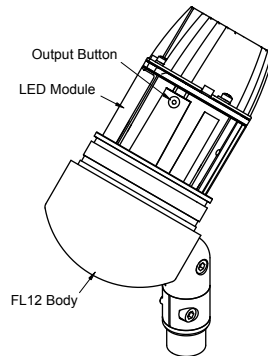
1. Remove cap as explained in PAR20 Halogen Lamp Maintenance steps 1 thru 4 above.
2. Loosen and remove the four Shroud Screws.
3. Remove the Shroud and the Reflector from the top of the LED module.
4. Set the new Reflector and Shroud on top of the LED Module. The Reflector and Shroud are keyed so that they may only be installed in certain orientations. Make sure any pins / keys line up with their corresponding holes / depressions on the LED module. Do not force or you may damage the Reflector, Shroud, or LED module.
5. Install and tighten the four Shroud Screws. Do not overtighten.
6. Install cap as explained in PAR20 Halogen Lamp Maintenance steps 9 & 10 above.

Changing LED Output Level:

LED module comes with a push button that allows for selection of 4 different outputs.

Output will be set at factory to highest setting, unless otherwise specified when ordered. To change the LED output level:

1. Remove cap as explained in PAR20 Halogen Lamp Maintenance steps 1 thru 4 above.
2. Inspect for damage. Replace any damaged parts, if necessary.
3. Clean inside of fixture and Cap with a clean, damp cotton cloth.
4. With fixture powered up, hold down the Output Button for about 4 seconds, until the LED blinks once, and release the button. The LED is now in adjustment mode. Note: if LED does not enter adjustment mode properly, or does not



adjust once in adjustment mode, check to make sure the 0-10V dimming leads are not connected together or grounded.

5. Immediately start pushing the Output Button to cycle thru the different power modes (one button push will advance one power mode). Note: Don't wait too long between button pushes. The LED will revert back to normal mode if the Output Button is not pushed for about 4 seconds when LED is in adjustment mode.
6. When the desired power mode is found, stop pushing the Output Button. When the Output Button is not pushed for about 4 seconds while in adjustment mode, the LED will blink twice, indicating that the LED is back in normal mode.
7. To continue adjusting the output mode, go back to step 4 and repeat the process.
8. Install cap as explained in PAR20 Halogen Lamp Maintenance steps 9 & 10 above.

Accessory Maintenance:

1. Remove cap as explained in PAR20 Halogen Lamp Maintenance steps 1 thru 4 above.
2. Remove Accessory Clip from Cap.
3. Carefully remove Accessories from Cap, if any.
4. Inspect Cap, Accessories, and Clip for damage. Replace if necessary.
5. Clean Cap and Accessories with a clean, damp cotton cloth.
6. Carefully install new Accessories into Cap (Cap may hold up to 3 Accessories).
7. Compress Clip and push into Cap until it holds Accessories tightly in Cap.
8. Install cap as explained in PAR20 Halogen Lamp Maintenance steps 9 & 10 above.